



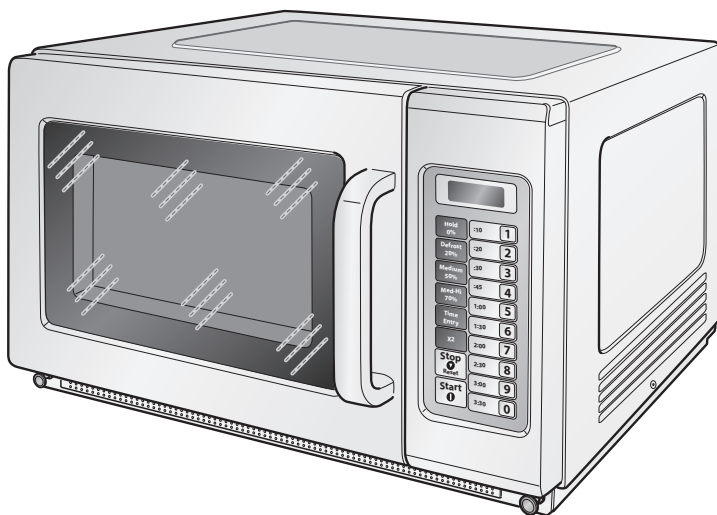
Forno a microonde **IT**

Microwave oven **EN**

**FD1025 NEW**

**FD1834**

**FD2134**



**Libretto di istruzioni** **IT**

*(Istruzioni originali)*

**Instruction manual** **EN**

*(Translation of original instructions)*



<b>A</b>	Introduzione.....	Pagina	4
<b>B</b>	Caratteristiche tecniche.....	"	4
<b>C</b>	Istruzioni di sicurezza importanti.....	"	5
<b>D</b>	Precauzioni per evitare l'eventuale esposizione a quantità eccessiva di energia a microonde.....	"	5
<b>E</b>	Avvertenze d'uso .....	"	6
<b>F</b>	Avvertenze importanti.....	"	8
<b>G</b>	Per ridurre il rischio di lesioni alle persone .....	"	11
<b>H</b>	Guida ai materiali per la cottura.....	"	12
<b>I</b>	Pannello comandi.....	"	14
<b>J</b>	Installazione del forno .....	"	15
<b>K</b>	Operazioni preliminari.....	"	16
<b>L</b>	Funzionamento .....	"	17
<b>M</b>	Istruzioni per lo scongelamento dei cibi.....	"	26
<b>N</b>	Pulizia e manutenzione .....	"	27
<b>O</b>	Pulizia pannello blocco olio (Per i modelli FD1834 - FD2134).....	"	29
<b>P</b>	Pulizia del filtro (Per i modelli FD1834 - FD2134).....	"	31
<b>Q</b>	Risoluzione dei problemi .....	"	32
<b>R</b>	Smaltimento dell'apparecchio.....	"	34
<b>S</b>	Possibili inconvenienti .....	"	34
<b>T</b>	Avvertenze supplementari.....	"	35
<b>U</b>	Condizioni di garanzia convenzionale.....	"	37

<b>A</b>	Introduction.....	Page	38
<b>B</b>	Specifications .....	"	38
<b>C</b>	Safety information.....	"	39
<b>D</b>	Precautions to avoid possible exposure to excessive microwave energy.....	"	39
<b>E</b>	Instruction for use .....	"	40
<b>F</b>	Important warnings.....	"	42
<b>G</b>	To Reduce the risk of injury to persons.....	"	45
<b>H</b>	Cookware guide .....	"	46
<b>I</b>	Control panel.....	"	48
<b>J</b>	Oven installation.....	"	49
<b>K</b>	Preliminary operations .....	"	50
<b>L</b>	Operation.....	"	51
<b>M</b>	Defrosting Guidelines .....	"	60
<b>N</b>	Cleaning and maintenance.....	"	61
<b>O</b>	Cleaning the oil block panel (For FD1834 - FD2134 models) .....	"	63
<b>P</b>	Cleaning the filter (For FD1834 - FD2134 models).....	"	65
<b>Q</b>	Trouble shooting.....	"	66
<b>R</b>	Disposal of the appliance .....	"	68
<b>S</b>	Possible problems .....	"	68
<b>T</b>	Additional warnings .....	"	68
<b>U</b>	Conventional warranty conditions.....	"	70

Al fine di migliorare il prodotto e/o per esigenze costruttive, il produttore si riserva di apportare variazioni tecnologiche, estetiche e dimensionali senza obbligo di preavviso.

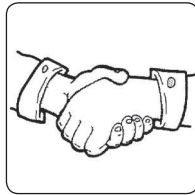
*In order to improve the product and/or construction requirements, the manufacturer reserves the right to make changes in technology, design and dimensions without notice.*

## A Introduction

Dear customer,

Thank you for choosing our product and we are confident that this choice will meet your expectations in full.

Before using this equipment, please read carefully this “instruction manual” in order to optimize the functional characteristics and eliminate any problems that may arise from incorrect use.



## B Specifications

	FD1025 NEW	FD1834	FD2134
• Rated voltage.....	230V~ 50Hz	230V~ 50Hz	230V~ 50Hz
• Rated input power (microwave).....W	1550	3000	3200
• Rated output power (microwave).....W	1000	1800	2100
• Magnetron (s) .....	1	2	2
• Oven capacity .....	25	34	34
• External dimensions.....mm	511x421x285h	575x529x368h	575x529x368h
• Net weight .....	13,5	32,2	32,2

## C Safety information



**Carefully read the instructions contained in this manual as they contain important information about safety, installation, operation and maintenance.**

**Keep this manual for future reference.**



Read with attention this instruction before the use

1. Use this appliance only for its intended purpose as described in this instruction manual. Warnings and Important Safety Instructions in this manual do not cover all possible conditions and situations that may occur. It is your responsibility to use common sense, caution, and care when installing, maintaining, and operating your appliance.
2. Because these following operating instructions cover various models, the characteristics of your microwave oven may differ slightly from those described in this manual and not all warning signs may be applicable. If you have any questions or concerns, contact your nearest service center or manufacturer.
3. This microwave oven is supposed for heating food. Do not heat any type of textiles or cushions filled with grains, which could cause burns and fire. The manufacturer cannot be held liable for damage caused by improper or incorrect use of the appliance.

## D Precautions to avoid possible exposure to excessive microwave energy



**Failure to observe the following safety precautions may result in harmful exposure to microwave energy.**

1. Under **NO** circumstances should any attempt be made to operate the oven with the door open or to tamper with the safety interlocks (door latches) or to insert anything into the safety interlock holes.
2. Do **NOT** place any object between the oven door and front face or allow food or cleaner residues to accumulate on sealing surfaces. Ensure that the door and door sealing surfaces are kept

clean by wiping after use first with a damp cloth and then with a soft dry cloth.

3. Do **NOT** operate the oven if it is damaged. **It is particularly important** that the oven door closes properly and that there is no damage to the:
  - Door (bent)
  - Door hinges (broken or loose)
  - Door seals and sealing surfaces
4. The oven should not be adjusted or repaired by anyone other than a properly qualified microwave service technician trained by the manufacturer.



**If the appliance is not kept clean, its surfaces may deteriorate, reducing the service life of the equipment and causing potentially dangerous situations.**

## **E** Instruction for use

To ensure safe operation:

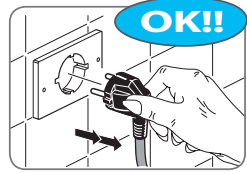
- Before each use, verify the mechanical integrity of the device and of all its components.  
The device body, the oven compartment and all components must not show cracks or tears.  
The protective sheath and the plug of the power cord should not be cracked or broken.  
Upon the occurrence of the above, disconnect the plug from the wall socket and take the unit to the dealer for the necessary checks.



**Before plugging the appliance, ensure that the line voltage corresponds to that indicated on the rating plate.**

- The electrical safety of the device is ensured only if connected to an efficient **earthing system** in accordance with current safety standards.  
To verify this important requirement you need the help of a professionally qualified personnel.  
The manufacturer can not be held responsible for damage caused by lack of earthing.

- For your safety, it is recommended to supply power through a differential switch (RCD) with a tripping current not exceeding 30 mA.
- Do not obstruct the cooling during operation.
- Never immerse the appliance, the power cord and plug in water or other liquids.
- Do not disconnect the electrical appliance by pulling the power cord.
- Do not use or store this appliance outdoors, in a wet environment or near water.
- Do not leave the power cord in the reach of children.
- Place the appliance on a horizontal supporting and firm plane whose surface is not sensitive (eg, lacquered furniture, tablecloths, etc..). Items such as caps, jars etc.. shall be placed on the apparatus.



*Make sure that the unit is placed in a safe manner.*



**The device may be used by children over the age of 8 or persons with reduced physical, sensory and mental faculties, or who do not have experience or the necessary knowledge, provided that under supervision or after receiving instructions on safe use of the device and having understood the related hazards.**



**Cleaning and maintenance to be carried out by the user may not be carried out by children without the supervision of an adult.**

**An electric device is not a toy. Use and store it out of reach of children; children must be supervised to make sure that they do not play with the device.**

**During operation, the power outlet should be easily accessible in the event that it is necessary to disconnect the equipment.**



**Place the unit away from sinks and faucets.**



The appliance **MUST** be checked and/ or repaired at an authorized dealer.

Any repairs carried out on the device by unauthorized personnel will void the warranty automatically.

This appliance must only be used for the purpose for which it was specifically designed, which is for cooking, heating and defrosting food.

Any other use is considered improper and therefore dangerous. The manufacturer can not be held responsible for any damage caused by improper, incorrect or unreasonable use.



Should there be problems with the appliance, contact the authorised service centers.

Avoid repairing the appliance on your own.

Any repairs carried out on the device by unauthorised personnel will automatically invalidate the warranty, even if it has not reached the expiry date.



## F Important warnings



To reduce the risk of fire, electric shock, injury to persons or exposure to excessive microwave oven energy when using your appliance, follow basic precautions, including the following:

1. Liquids and other foods must not be heated in sealed containers since they are liable to explode.
2. It is hazardous for anyone other than a competent person to carry out any service or repair operation that involves the removal of a cover which gives protection against exposure to microwave energy.
3. Only use utensils suitable for use in microwave ovens.
4. The oven should be cleaned regularly and any food deposits should be removed.
5. Read and follow the specific: "Precautions to avoid possible exposure to excessive microwave energy".

6. When heating food in plastic or paper containers, keep an eye on the oven due to the possibility of ignition.
7. **If smoke is observed, switch off and unplug the appliance and keep the door closed in order to stifle any flames.**
8. Do not overcook food.
9. Do not use the oven cavity for storage purposes. Do not store items, such as bread, cookies, etc. inside the oven.
10. Remove wire twist-ties and metal handles from paper or plastic containers/bags before placing them in the oven.
11. Install or locate this oven only in accordance with the installation instructions provided.
12. Use this appliance only for its intended uses as described in manual. Do not use corrosive chemicals or vapors in this appliance. This oven is especially designed to heat. It is not designed for industrial or laboratory use.
13. If the supply cord is damaged, it must be replaced by the manufacturer, its service agent or similarly qualified persons in order to avoid a hazard.
14. Do not store or use this appliance outdoors.
15. Do not use this oven near water, in a wet basement or near a swimming pool.
16. The temperature of accessible surfaces may be high when the appliance is operating. The surfaces are liable to get hot during use. Keep cord away from heated surface, and do not cover any vents on the oven.
17. Do not let cord hang over edge of table or counter.
18. Failure to maintain the oven in a clean condition could lead to deterioration of the surface that could adversely affect the life of the appliance and possibly result in a hazardous situation.
19. The contents of feeding bottles baby food jars shall be stirred or shaken and the temperature checked before consumption, in order to avoid burns.
20. Microwave heating of beverages result in delayed eruptive boiling, therefore care must be taken when handling the container.
21. **For your safety, do not use high-pressure water cleaners or steam jet cleaners.**

22. **Do not install this appliance; near heater, inflammable material; in a humid, oily or dusty location, in a location exposed to direct sunlight and water or where gas may leak; on un level ground.**
23. **Do not spray volatile material such as insecticide onto the surface of the oven.**
24. **The appliance is not intended for installing in road vehicles, caravans and similar vehicles etc.**  
**Do not store flammable materials in the oven. Take special care when heating dishes or drinks that contain alcohol as alcohol vapours may contact a hot part of the oven.**
25. **Before using the your oven first time, oven should be operated with the water during 10 minute and then used.**
26. **Only use utensils that are suitable for use in microwave ovens; DO NOT use any metallic containers, Dinnerware with gold or silver trimmings, Skewers, forks, etc.**  
**Remove wire twist ties from paper or plastic bags.**  
**Reason: Electric arcing or sparking may occur and may damage the oven.**
27. **Do not use your microwave oven to dry papers or clothes.**
28. **Use shorter times for smaller amounts of food to prevent overheating and burning food.**
29. **Eggs in their shell and whole hard-boiled eggs should not be heated in microwave ovens since they may explode, even after microwave heating has ended; Also do not heat airtight or vacuum-sealed bottles, jars, containers, nuts inshells, tomatoes etc.**
30. **Always use oven mitts when removing a dish from the oven to avoid unintentional burns.**
31. **Do not touch heating elements or interior oven walls until the oven has cooled down.**
32. **Stir liquids halfway during heating or after heating ends and allow the liquid stand at least 20 seconds after heating to prevent eruptive boiling.**
33. **Stand at arms length from the oven when opening the door to avoid getting scalded by escaping hot air or steam.**

## **G** To Reduce the risk of injury to persons

### **GROUNDING INSTALLATION**



**Electric Shock Hazard. Touching some of the internal components can cause serious personal injury or death. Do not disassemble this appliance.**

- This appliance must be grounded. In the event of an electrical short circuit, grounding reduces the risk of electric shock by providing an escape wire for the electric current. This appliance is equipped with a cord having a grounding wire with a grounding plug. The plug must be plugged into an outlet that is properly installed and grounded.



**Electric Shock Hazard. Improper use of the grounding can result in electric shock. Do not plug into an outlet until appliance is properly installed and grounded.**

- Consult a qualified electrician or serviceman if the grounding instructions are not completely understood or if doubt exists as to whether the appliance is properly grounded. If it is necessary to use an extension cord, use only a 3-wire extension cord.
- Do not leave the power cord in the reach of children.



**Make sure that the power cord is not laying on the floor in order to prevent someone from inadvertently overturning and pulling the unit.**

## H Cookware guide



To cook food in the microwave oven, the microwaves must be able to penetrate the food, without being reflected or absorbed by the dish used.

Care must therefore be taken when choosing the cookware. If the cookware is marked microwave-safe, you do not need to worry.

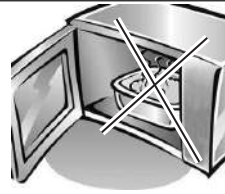
The following table lists various types of cookware and indicates whether and how they should be used in a microwave oven.

If in doubt, you can test the utensil in question following the procedure below:

1. Fill a microwave-safe container with 1 cup of cold water (250ml) along with the utensil.
2. Cook on maximum power for 1 minute.
3. Carefully feel the utensil. If the empty utensil is warm, do not use it for microwave cooking.
4. Do not exceed 1 minute cooking time.



### **MATERIALS TO BE AVOIDED IN MICROWAVE OVEN**



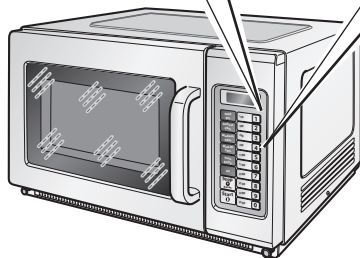
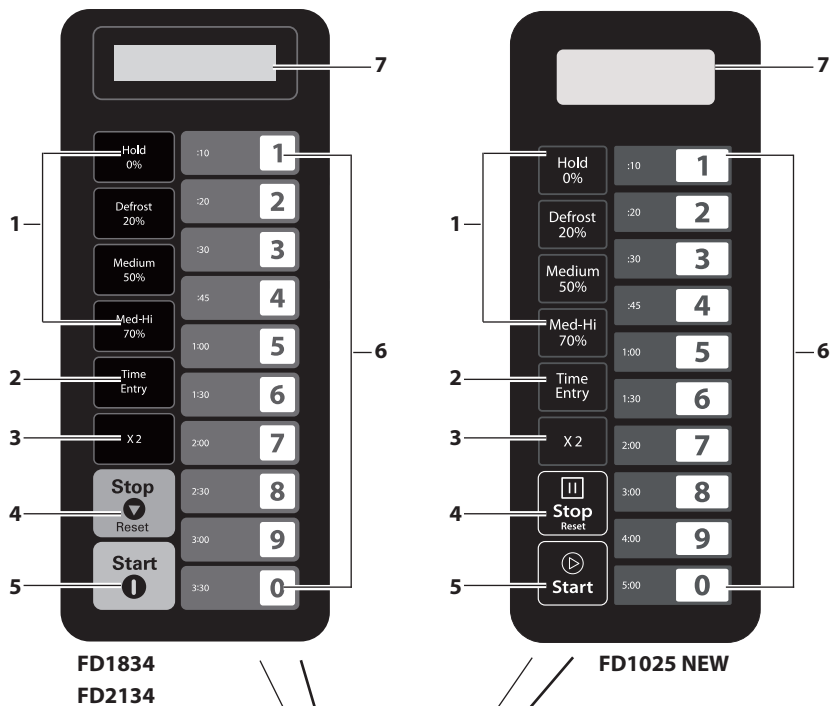
Utensils	Remarks
Aluminum tray	May cause arcing. Transfer food into microwave-safe dish.
Food carton with metal handle	May cause arcing. Transfer food into microwave-safe dish.
Metal or metal-trimmed utensils	Metal shields the food from microwave energy. Metal trim may cause arcing.
Metal twist ties	May cause arcing and could cause a fire in the oven.
Paper bags	May cause a fire in the oven.
Plastic foam	Plastic foam may melt or contaminate the liquid inside when exposed to high temperature.

**MATERIALS YOU CAN USE  
IN MICROWAVE OVEN**



Utensils	Remarks
Dinnerware	Microwave-safe only. Follow manufacturer's instructions. Do <b>not</b> use cracked or chipped dishes.
Glass jars	Always remove lid. Use only to heat food until just warm. Most glass jars are not heat resistant and may break.
Glassware	Heat-resistant oven glassware only. Make sure there is no metallic trim. Do <b>not</b> use cracked or chipped dishes.
Oven cooking bags	Follow manufacturer's instructions. Do not close with metal tie. Make slits to allow steam to escape.
Paper plates and cups	Use for short-term cooking/warming only. Do <b>not</b> leave oven unattended while cooking.
Paper tower	Use to cover food for reheating and absorbing fat. Use with supervision for a short-term cooking only.
Parchment paper	Use as a cover to prevent splattering.
Plastic	Microwave-safe only. Follow the manufacturer's instructions. Should be labeled "Microwave Safe". Some plastic containers soften, as the food inside gets hot.
Plastic wrap	Microwave-safe only. Use to cover food during cooking to retain moisture. Do <b>not</b> allow plastic wrap to touch food.
Thermometers	Microwave-safe only (meat and candy thermometers).
Wax paper	Use as a cover to prevent splattering and retain moisture.

# Control panel



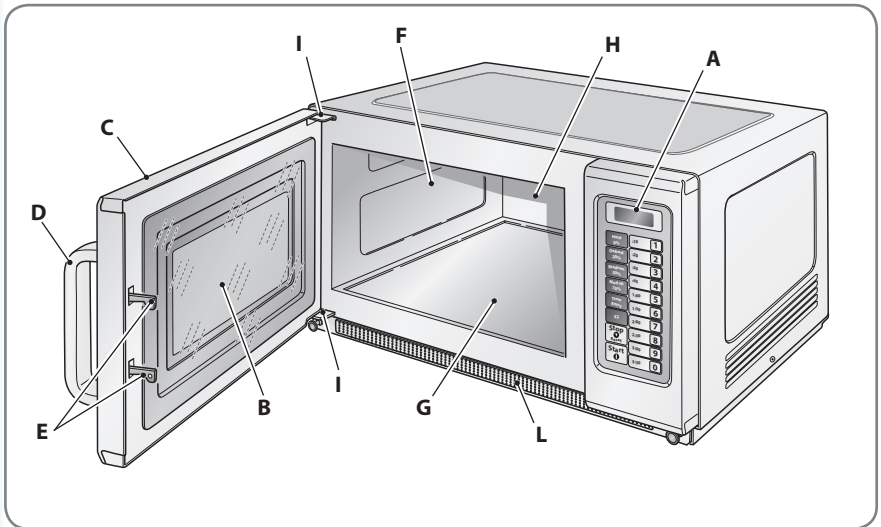
- 1 Microwave power selection buttons
- 2 Cooking time **Time Entry** button
- 3 Double quantity function selection **X2** button
- 4 **Stop/Reset** button
- 5 **Start** button
- 6 Number buttons
- 7 Display

## J Oven installation

### Component description

- Remove the oven from the packaging.
- Remove all the objects that may be present in the oven compartment.
- Remove the film protecting the side panels.

- A Control panel
- B Observation window
- C Door assembly
- D Door handle
- E Safety interlock system
- F Oven compartment
- G Ceramic board
- H Back plate
- I Door hinge
- L Filter



#### Note:

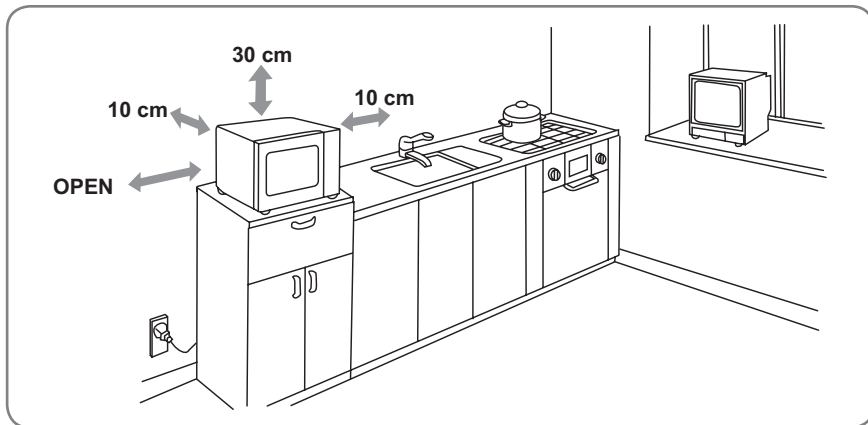
- Don't press the ceramic board forcibly.
- Take and put the utensils gently during the operation in order to avoid damage to the ceramic board.
- After using, don't touch the ceramic board by hand in order to avoid high temperature scald.

## K Preliminary operations

- Remove all packing material and accessories.
- Examine the oven for any damage such as dents or broken door.
- **Do not install if oven is damaged, contact the retailer.**

### Installation

- Select the location for installing the oven, considering that a flat and stable surface is necessary that can support the weight of the appliance (see "Technical specifications") as well as sufficient open space able to guarantee the necessary ventilation.



- A 10-cm spacing should be kept between the appliance and right and back walls, and a 30-cm spacing kept on the top.
- Never dismantle the appliance's feet, nor block the air intake and exhaust opening. The left side must be open



### Attention:

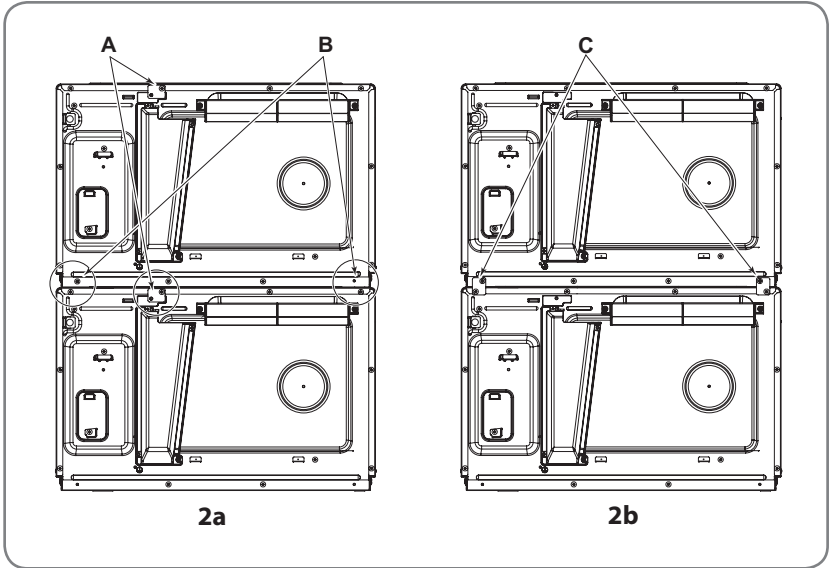
- Blocking the intake and/or outlet openings can damage the oven.**
- Place the oven as far away from radios and TV as possible. Operation of microwave oven may cause interference to your radio or TV reception.**
- Plug oven into a standard household outlet. Be sure the voltage and the frequency is the same as the voltage and the frequency on the rating label (check what is specified on the data plate and in the paragraph "Technical specifications").**

The accessible surfaces become hot during operation.



For FD1834 - FD2134 models:

- The appliance can be installed with a degree of overlap. The maximum overlap height is two layers.
- To correctly fix the two appliances:
  - Remove the two brackets "A" from the rear of the appliance (figure "2a"). Reposition the screws in the holes.
  - Remove the four screws "B" (figure "2a").
  - Position the brackets "C" as shown and tighten the four screws "B" (see figure "2b").



## Operation

### 1. Start

- a. When the oven is powered electrically, the following appears on the display "- - - - -".
- b. Pressing the **Stop/Reset** button switches the oven to standby mode.



*Note:*  
No button can be pressed in standby mode.

### 2. Standby mode

- a. After a preset time of a few seconds passes without any button being pressed or the door opened, the oven will switch to standby mode. The standby time can be changed with option "4" (see table "A").
- b. In this mode, the display is off and there is no activity in the oven compartment.
- c. Opening and closing the oven door exits the standby mode and switches to **READY** mode.

### 3. READY mode

- In this mode, the oven is ready to start a manual or preset cooking cycle.
- From **READY** mode, the oven can switch to almost all the other modes.

### 4. Door open

- By opening the door, the oven enters door open mode.
- The display is off in this condition. The fan and the lamp in the oven compartment are on.
- If the option **OP: 60** is selected (see table "B") and the oven was operating with a manual or preset cooking cycle before opening the door, when the door is closed, the oven will enter **PAUSE** mode.

If instead option **OP: 61** was selected, when closing the door, all information about the current manual or preset program will be deleted.

### 5. PAUSE mode

- This mode makes it possible for users to temporarily interrupt the cooking cycle to inspect or mix the food being cooked.
- In **MANUAL COOKING** or **COOKING WITH PRESET PROGRAM** mode, if the door is opened or if the **Stop/Reset** button is pressed, the oven enters **PAUSE** mode.
- During the pause, the remaining cooking time is shown on the display.
- In this mode, pressing the **Stop/Reset** button returns the oven to **READY** mode.
- The **PAUSE** mode ends automatically after the period of time set in option "4" has elapsed (see table "B").
- In **PAUSE** mode, closing the door and pressing the Start button the oven will restart the current program.

### 6. Simple cooking mode

- With this procedure it is possible to set the desired cooking time and power level.
- With the oven in **READY** mode, press the **Time Entry** button; "00:00" will appear on the display.
- Use the number buttons to enter the desired cooking time.
- Select the desired power level by pressing one of the power selection buttons ("Hold 0%", "Defrost 20%", "Medium 50%" or "Med-Hi 70%"). The set power level will appear on the right side of the display. If the same power selection button is pressed two times, the default level PL10 will be set (no value will appear on the right side of the display).
- If no power level is selected, the default level will be selected (PL10).
- Press the **Start** button to start the oven.
- Pressing the **Stop/Reset** button twice returns the oven to standby mode.

### 7. MANUAL COOKING mode

- With the oven in **Simple cooking mode** press the **Start** button to start the oven.
- The display will show the remaining cooking time. The fan and the lamp in the oven compartment are on.
- At the end of the set cooking time, the oven will enter **CYCLE END** mode; **DONE** will appear on the display and a beep indicates that the cycle has ended.
- Pressing the **Stop/Reset** button switches the oven to **PAUSE** mode.

**8. CYCLE END mode**

- Once the time set in **MANUAL COOKING** or **COOKING WITH PRESET PROGRAM** mode has ended, the oven enters **CYCLE END** mode.
- DONE** appears on the display and a beep indicates that the cycle has ended.
- If the option **OP:11** or **OP:12** is set, the oven will continue to beep until the door has been opened or closed or the **Stop/Reset** button is pressed.
- If option **OP:10** is set, the oven will emit a beep for 3 seconds and then switch to **READY** mode.

**9. COOKING WITH PRESET PROGRAM mode**

- This mode makes it possible to cook food by simply pressing the desired button.
- In **READY** mode, press one of the ten number buttons to set the cooking time indicated to the side of the button.
- The oven will start and the display indicates the remaining time.
- At the end of the set cooking time, the oven will enter **CYCLE END** mode; **DONE** will appear on the display and a beep indicates that the cycle has ended.
- Pressing the **Stop/Reset** button switches the oven to **PAUSE** mode.

**Table "A" - Preset cooking times**

Button	Display (time)	Power	Cooking factor
1	0:10	100%	80%
2	0:20	100%	80%
3	0:30	100%	80%
4	0:45	100%	80%
5	1:00	100%	80%
6	1:30	100%	80%
7	2:00	100%	80%
8	2:30/3:00	100%	80%
9	3:00/4:00	100%	80%
0	3:30/5:00	100%	80%

**10. QUICK COOKING mode**

- While the oven is cooking, if option **OP:51** has been selected, press one of the number buttons; the set cooking program will be started automatically.
- The display will show the remaining time.
- At the end of the set cooking time, the oven will enter **CYCLE END** mode; **DONE** will appear on the display and a beep indicates that the cycle has ended.
- Pressing the **Stop/Reset** button switches the oven to **PAUSE** mode.

In **COOKING WITH PRESET PROGRAM** mode:

- Open the door.
- Hold down the button **1** for 5 seconds, a beep confirms access to programming mode; **PROGRAM** appears on the display.
- Press the number button that corresponds to the preset program to be changed; the display will show the program number and the time currently set.
- Use the number buttons to enter the desired cooking time.
- Then press the button corresponding to the power level you want to assign to the program being changed ("Hold 0%", "Defrost 20%", "Medium 50%" or "Med-Hi 70%"). The set power level will appear on the right side of the display. If the same power selection button is pressed two times, the default level PL10 will be set (no value will appear on the right side of the display). If no power level is selected, the default level will be selected (PL10).
- Press **Time Entry**, **STAGE-2** will appear on the display.
- Select a second preset program and change it (optional).
- If you want to set a third stage, press **Time Entry**; **STAGE-3** will appear on the display.
- Select a third preset program and change it (optional).
- Press **Start** to save the changes.
- Close the door, the appliance will start for the total set time.
- At the end of the set cooking time, the oven will enter **CYCLE END** mode; **DONE** will appear on the display and a beep indicates that the cycle has ended.
- Pressing the **Stop/Reset** button switches the oven to **PAUSE** mode.

*For FD1025 NEW model:*

After setting the power and time for the first stage, press **Time Entry** to set the second stage. And the same step to set the third stage.

- When setting the second or the third stage, press **Time Entry**, **S-2** or **S-3** displays.
- Press **Start** button to start cooking.

Example: To set three stages as memory mode. The first stages **PL7** and time is 1 minute and 25 seconds. The second stage is **PL5** and time is 5 minutes and 40 seconds. The steps are the following:

- Ready status, press **1** for 5 seconds, LED displays **ProG**.
- Press number buttons **3** to save the program in **3**.
- Press **1**, **2**, **5** to input the cooking time. **1:25** displays.
- Press **Med-Hi 70%**, **PL7** displays. The first stage is finished.
- Press **Time Entry**, LED displays **S-2**.
- Press **5**, **4**, **0** button, **5:40** displays.
- Press **Medium 50%**, **PL5** displays. The second stage is finished.
- Press **Start** to save the program.

## 11. Programming mode

This mode is used to assign the desired cooking time and power level to the individual number buttons.

- a. Open the door.
- b. Hold down the button **1** for 5 seconds, a beep confirms access to programming mode; **PROGRAM** appears on the display.
- c. Press the number button that corresponds to the preset program to be changed; the display will show the program number and the time currently set.
- d. Use the number buttons to enter the desired cooking time.
- e. Then press the button corresponding to the power level you want to assign to the program being changed ("Hold 0%", "Defrost 20%", "Medium 50%" or "Med-Hi 70%"). The set power level will appear on the right side of the display. If the same power selection button is pressed two times, the default level PL10 will be set (no value will appear on the right side of the display). If no power level is selected, the default level will be selected (PL10).
- f. If you want to change the cooking factor, press the button **X2**, **CF:XX** will appear on the display. Press the number button corresponding to the desired value. The default value is **CF:08**.
- g. Press **Start** to save the changes. If you want to change another program, press the number button corresponding to the program to be changed.
- h. Press **Stop/Reset** or close the door to exit the programming mode.
- i. If the set time exceeds the value specified in option 6, when pressing **Start** to save the setting, 3 beeps indicate that the change was not saved.
- l. Close the door, the oven will switch to **READY** mode.
- m. If you select a program with a set time of "0 (zero)", the oven will not start and a beep will indicate the fault.

### Programming mode

- a. Open the door, press the **1** button for 5 seconds, "**PROGRAM**" will appear.
- b. Press the **3** button, **P: 03**, will appear, after two seconds the display will show the relative time "**: 30**".
- c. Press the buttons "1", "2" and "5" to enter the cooking time of 1 minute and 25 seconds.
- d. Press **Med-Hi/70%** to set the power level.
- e. Press **Start** to save. Next time program 3 is used, the oven will start automatically for 1 minute and 25 seconds with 70% power.



### Notes

1. If there is a power failure while programming, the program being changed will not be saved.
2. To reset the program to its original values, repeat the programming operation.
3. If the **Stop/Reset** button is pressed before saving the changes ( **Start** button) they will not be saved.

**12. X2 mode (double quantity)**

- With this mode, it is easy to increase the cooking time of the preselected program for certain baking needs.
- Press **X2** (**DOUBLE** will appear on the display), then press the number button corresponding to the desired program. The oven will begin cooking for the program time, increased by the percentage set in programming.

Example: Program 5 (set time 1:00 and default CF value "CF:08")

- Press the button **X2**.
  - Press the button **5**.
  - The oven will start for a total time of 1 minute and 48 seconds (1:00 minute + 80% "CF:08").
- At the end of the set cooking time, the oven will enter **CYCLE END** mode; **DONE** will appear on the display and a beep indicates that the cycle has ended.
  - Pressing the **Stop/Reset** button switches the oven to **PAUSE** mode.

**Note**

- This function can only be used with the **COOKING WITH PRESET PROGRAM** mode.

**13. MULTIPLE PHASE COOKING mode**

This mode is used to cook food in multiple phases.

- Up to 3 cooking phases can be set in **MANUAL COOKING** mode or in **COOKING WITH PRESET PROGRAM** mode.

*For FD1834 - FD2134 models:*

In **MANUAL COOKING** mode:

- Press **Time Entry**, "00:00" will appear on the display.
- Set the cooking time and the power level (if a power level is not set, the default level is P:10)
- Press **Time Entry**, **STAGE-2** will appear on the display.
- Set the cooking time and the power level of the second stage (if a power level is not set, the default level is P:10)
- If you want to set a third stage, press **Time Entry**; **STAGE-3** will appear on the display.
- Set the cooking time and the power level of the second stage (if a power level is not set, the default level is P:10).
- Press **Start**; the appliance will start for the total set time.
- At the end of the set cooking time, the oven will enter **CYCLE END** mode; **DONE** will appear on the display and a beep indicates that the cycle has ended.
- Pressing the **Stop/Reset** button switches the oven to **PAUSE** mode.

**14. OPTIONS mode**

This mode is used to set various options regarding oven operation. To access the various settings:

- Open the door.
- Hold down the button **2** for 5 seconds, a beep confirms access to programming mode; **OP:-- --** appears on the display.
- Press the number button corresponding to the option to be set one or more times (see table "B").

Example: if you want to eliminate the "beep" each time a button is pressed, when the display shows **OP:-- --**:

- Press the button **3** (option OP:31 will appear).
- Press the button **3** again (option OP:30 will appear).
- Press **Start** to confirm, **OP:-- --** will again appear on the display.
- After saving, press **Start** button to return to **DOOR OPEN** mode or close the door to return to the **READY** mode.
- If you don't press the **Start** button, the selection of the option is not saved.

**15. Service mode**

*For FD1834 - FD2134 models:*

- Open the door.
- Hold down the button **3** for 5 seconds, a beep confirms access to the mode and **SERVICE** will appear on the display.
- Press the button **1** to view the total operating hours of the magnetron (s).
- Press the button **2** to view the total number of complete cycles performed.
- Press the button **3** to view the total number the door was opened/closed.
- Press the button **4** to reset the count. **4--CLEAR** will appear on the display. Press the button to clear all the values; **CLEARED** will appear on the display. From this moment, the value count will restart from zero (see the sections above this paragraph).
- If after pressing the button **4** you do not want to reset the counts, press the button **Stop/Reset**. The oven will return to **DOOR OPEN** mode.

*For FD1025 NEW model:*

- Open the door.
- Hold down the button **3** for 5 seconds, a beep confirms access to the mode and **SeRU** will appear on the display.
- To check the times of door closing or opening, just press number button **1**, LED will display the times.
- Press **Start** and then press number button **4** in 3 seconds, the message will be cancelled. **4-CL** displays.
- Press **Stop/Reset** to enter **DOOR OPEN** Mode. Closing the door will make the appliance enter **READY** Mode.

**16. Reset default settings (Factory setting)**

In the **READY** mode, pressing **Start** and **0** buttons to factory-default setting.

- a. Press the buttons **Start** and **0**, the buzzer sounds once and the screen will display "CHECK". If it is in the factory-default setting, the screen will display **11** and after three seconds the oven turn to the **READY** mode. Press the button **Stop/Reset** to cancel the display and back to ready back in the process of display. If is not in the factory-default setting, the screen will display **00**; press the button **Start** to the factory-default setting, the screen will display **CLEAR**. The buzzer sounds once, after self-testing the screen will display **11** or **10**.
  
- b. If do not press the button **Start** when the display **00**, the setting will cancel.



*Note*

- *Be careful in the operation as it will restore all configure to factory-default setting.*

*For FD1025 NEW model:*

**Inquiry Function**

During microwave cooking process, press **Time Entry** to check the power level. LED display the power for 3 seconds then turn back to previous state.

It is available for multi-stage cooking.

**Factory-default setting**

In power up and ready mode, press **Start** and **0** to return to factory--default setting.

**Table "B" - Options list**

To access the options, proceed as described in point "14" (OPTIONS mode)

<b>Option</b>	<b>Setting</b>	<b>Description</b>
1 EOC Tone	<b>OP:10</b>	<b>3 seconds beep</b>
	OP:11	Continuous beep
	OP:12	2/5 quick beeps, Repeating
2 Beeper Volume	OP:20	Beeper Off
	OP:21	Low
	<b>OP:22</b>	<b>Medium</b>
	OP:23	High
3 Beeper On/Off	OP:30	Keybeep Off
	<b>OP:31</b>	<b>Keybeep On</b>
4 Keyboard Window	OP:40	15 seconds
	OP:41	30 seconds
	<b>OP:42</b>	<b>60 seconds</b>
	OP:43	120 seconds
5 On the Fly	OP:50	On-the-Fly Disable
	<b>OP:51</b>	<b>On-the-Fly Enable</b>
6 Door Reset (*)	<b>OP:60</b>	<b>Door reset Disable</b>
	OP:61	Door Reset Enable
7 Max time	<b>OP:70</b>	<b>60 Minute Maximum Cook Time</b>
	OP:71	10 Minute Maximum Cook Time
8 Manual Programming	OP:80	Manual Programming Disable
	<b>OP:81</b>	<b>Manual Programming Enable</b>
9 Double Digit (**)	<b>OP:90</b>	<b>Single Digit Mode</b> (10 programs)
	OP:91	Double Digit Mode (100 programs)

\* This option, if enabled (**OP:60**) resets the operating cycle when the door is opened. If disabled (**OP:61**), when the door is opened, the cycle in progress is stopped and can be restarted when the door is closed (pressing the **Start** button).

\*\* By setting option "**OP:91**", 100 programs can be set. To assign values to every program, proceed as described in paragraph "11" (programming mode).

**Standing times**

Individual portions of food may be cooked almost immediately after defrosting. It is normal for large portions of food to be frozen in the centre. Before cooking, allow to stand for a minimum of **one hour**. During this standing time, the temperature becomes evenly distributed and the food is defrosted by conduction.

**Notes**

- If the food is not going to be cooked immediately, store it in the refrigerator. Never refreeze defrosted food without first cooking it.

**Minced meat or cubes of meat and seafood**

Since the outside of these foods quickly defrosts, it is necessary to separate them, break the blocks into pieces frequently while defrosting and remove them when they have defrosted.

**Joints and Poultry**

It is preferable to place the joints on an upturned plate or plastic rack so that they are not resting in the juices. It is essential to protect delicate or projecting parts of this food with small pieces of foil to prevent these parts from cooking. It is not dangerous to use small pieces of foil in your oven, provided they do **not come into contact with the oven walls**.

**Small portions of food**

Chops and chicken pieces must be separated as soon as possible so that they defrost evenly throughout.

Fatty parts and the ends defrost more quickly. Place them near the centre of the turntable or protect them.

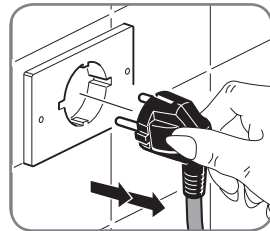
**Bread**

Loaves will require standing time to allow the centre to thaw. Standing time can be shortened if slices are separated and rolls and loaves cut in half.

## N Cleaning and maintenance

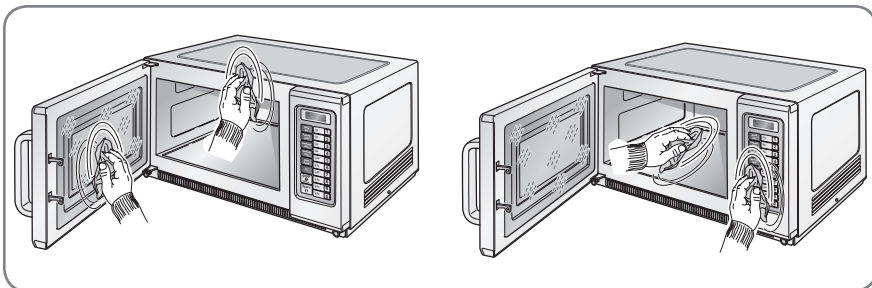


**Attention:**  
**Before starting with appliance cleaning or maintenance, disconnect the plug from the power socket.**



**Attention:**  
**Never immerse the appliance in water or other liquids.**

1. Clean the door, the inspection window, the door sealing surface and the cooking compartment with a moist cloth.



In the case of heavy dirt, use dish detergent.

To guarantee optimal performance and maintain the safety level of the appliance, the inner part of the door and the front sealing surface must be free of food or accumulated grease. Clean these parts with a delicate detergent, then rinse and dry.

**NEVER use abrasive or corrosive materials or detergents.**



**Attention:**  
**Do not use harsh abrasive cleaners or sharp metal scrapers to clean the oven door glass since they can scratch the surface, which may result in shattering of the glass.**

2. The outside oven surface should be cleaned with a damp cloth. To prevent damage to the operating parts inside the oven, water should not be allowed to seep into the ventilation openings.
3. The external part of the inspection window must be cleaned using normal glass cleaner.
4. If the Control Panel becomes dirty, clean it with a soft, dry cloth. Do not use harsh detergents or abrasives on the Control Panel. When cleaning the Control Panel leave the oven door open to prevent the oven from accidentally turning on.

### 5. **Cleaning the oven compartment**

After use, make sure to clean any residuals of spilled liquids, splattered oil or food as soon as possible. If the oven is used without first having cleaned the cooking compartment, the presence of the residuals may cause unpleasant odours.

Clean the cooking compartment using a cloth soaked in warm water and delicate dish detergent. Rinse with a moist cloth.



#### **Attention:**

**Do not use abrasive or corrosive materials or detergents.**

#### *Cleaning Tip*

For easier cleaning of the cavity walls that the food cooked can touch:

- Place half a lemon in a bowl,
- add 300ml (1/2 pint) water,
- heat on 100% microwave power for 10 minutes,
- wipe the oven clean using a soft, dry cloth.

### 6. **Cleaning the oil block panel (For FD1834 - FD2134 models)**

Clean the oil block panel regularly.

If the panel is dirty, possible residues could drop onto the food while cooking. To clean the panel, see the section "**Cleaning the oil block panel**".

### 7. **Filter cleaning**

Clean the filter regularly.

Failure to clean the filter could cause the oven to overheat. To clean the filter, see the section "**Cleaning the filter**".



#### **Attention:**

- **Do not use the appliance without the oil block panel and the filter. Make sure that both components are positioned correctly.**
- **Do not clean the plastic parts of the oven with bleach, thinners or other detergents as they could damage the components and change their structure.**

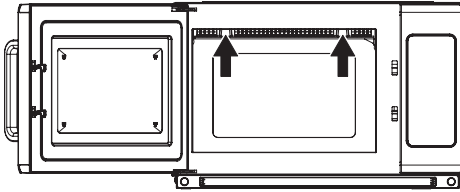
## 0 Cleaning the oil block panel (For FD1834 - FD2134 models)



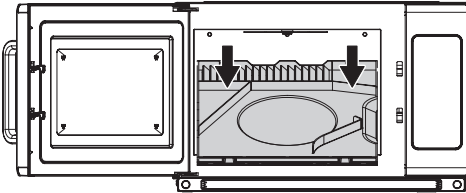
**Attention:**  
**Before removing and repositioning the oil block panel, make sure to have disconnected the plug from the power socket and that the oven has cooled;**

- Clean the panel with water and dish detergent.
- Dry it before repositioning it.

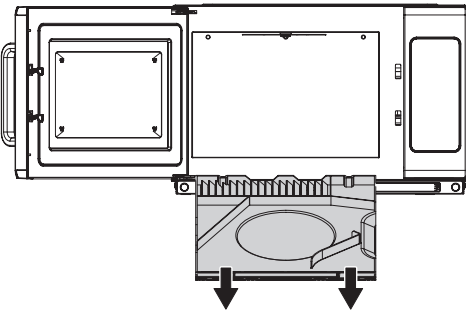
### •• REMOVE THE PANEL ••



a. Hands with oil blockage, pressed on the arrow shown, pushed back slantly, then pulling down.

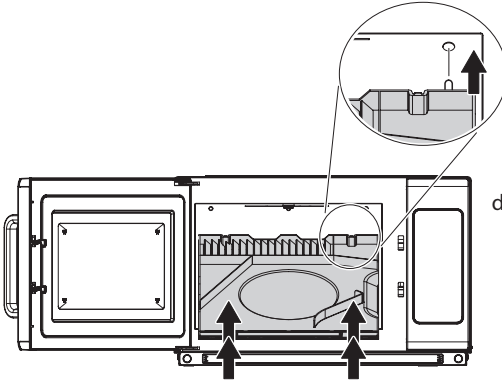


b. Status of remove

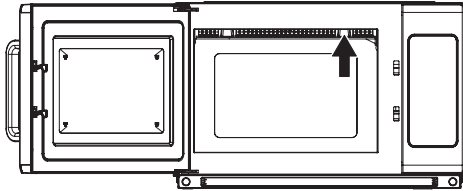


c. Taking oil blockage from the appliance.

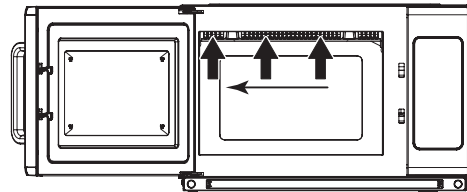
## •• REPOSITION THE PANEL ••



d. Hands to take the oil blockage, after alignment three cylinder of the oil blockage, inserting the three holes of the back plate.



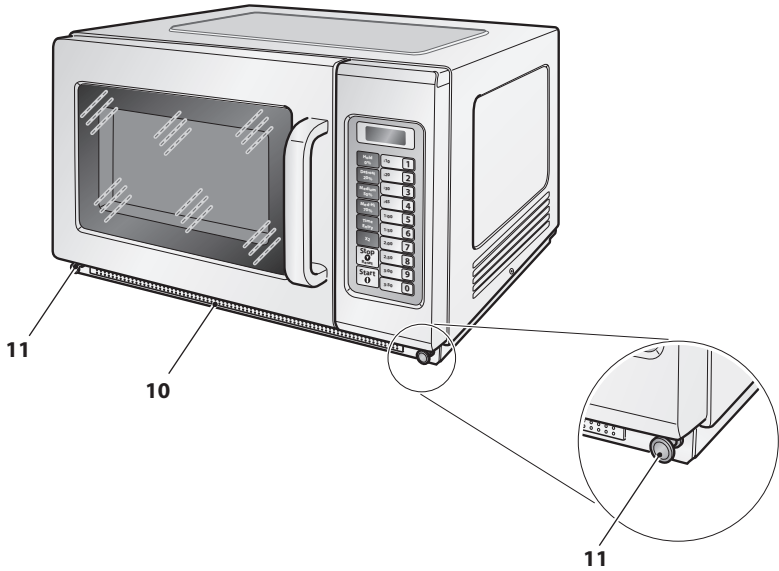
e. The left hand grasp the microwave, right thumb to press the arrow directions and forced to push back. And the left thumb hard pressed upward at the same time, put the right of oil blockage into the buckle



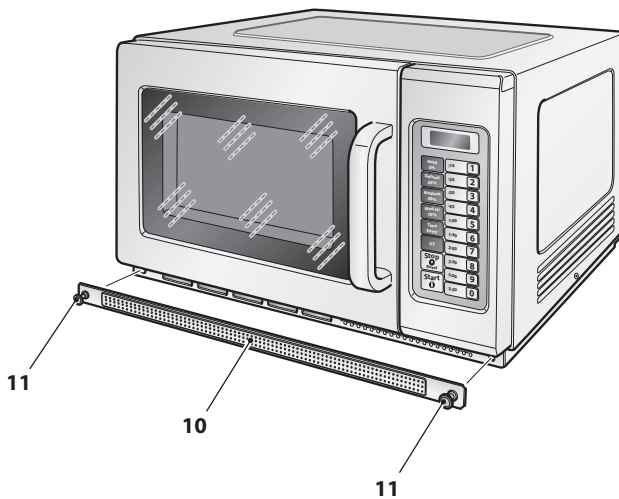
f. From right to left, make the oil blockage loaded. When finish, check to ensure that the oil blockage buckle completely.

## P Cleaning the filter (For FD1834 - FD2134 models)

- a. To remove the filter (10) pull the two knobs (11).
- b. Remove the filter (10) and wash it with water and dish detergent.



- c. Make sure the filter is dry.
- d. Reposition the filter (10) and press the two knobs (11) until they engage in their seats.



Trouble	Possible cause	Remedy
Oven can not be started.	Power cord not plugged in tightly.	Unplug. Then plug again after 10 seconds.
	Fuse blowing or circuit breaker works.	Replace fuse or reset circuit breaker (repaired by professional personnel of our company)
	Trouble with outlet.	Test outlet with other electrical appliances.
Oven does not heat.	Door not close well.	Close door well.
The screen display "E-01" or "E-02".	Temperature sensor breakdown.	Unplug. Then plug again after 10 seconds. Contact the manufacturers if the problem still exist.
The screen display "OVEN IS HOT, DO NOT OPEN THE DOOR".	High temperature in the oven will cause overheating protection.	<ul style="list-style-type: none"> <li>• Please waiting for 3 minutes, the oven can eliminate faults automatically in general.</li> <li>• Do not over heat food.</li> <li>• Do not work without food in the oven.</li> <li>• Contact th manufacturers if the problem still exist.</li> </ul>
Lamp light, fan make noise when the oven finish working.	Lamp light, fan still operate when the oven finish working.	It is normal. Lamp and fan stop work when the temperature goes down in the oven.
Microwave oven interfering TV reception.	Radio and TV reception may be interfered when microwave oven operating. It is similar to the interference of small electrical appliances (like mixer, vacuum cleaner and electric fan...etc.). It is normal.	Connect the oven or other equipment to a different outlet to eliminate or reduce the interference.
Dim oven light.	In low power microwave cooking, oven light may become dim. It is normal.	



MICROWAVE OVEN

Trouble	Possible cause	Rimedy
Steam accumulating on door, hot air out of vents.	In cooking, steam may come out of food. Most will get out from vents. But some may accumulate on cool place like oven door.	
Oven started accidentally with no food in.	It is forbidden to run the unit without any food inside. It is very dangerous.	Immediately, switch off the oven ( <b>Stop/Reset</b> button).

## R Disposal of the appliance

The crossed-out wheeled bin symbol placed on the product and on the accompanying documentation indicates that the product itself is subject to Directive 2012/19/EU which regulates the collection, the management, the processing and the disposal of electrical and electronic equipment waste (WEEE).



When the product reaches the end of its lifetime must therefore not be disposed of as a common mixed urban waste but it must be subject to sorted collection at authorized collection centers.

Responsible disposal of electrical and electronic equipment waste helps to ease the material resources sustainable recycling and reuse, as well as to avoid possible damages to the environment and to human health caused by uncontrolled waste disposal.

The municipalities organize sorted collection centers specialized for WEEE. For more detailed information regarding the WEEE collection and pick-up systems, it is possible to refer to your own municipality or to the local household waste disposal service.

Moreover, at the time of purchase of a new equivalent equipment intended to be used in a household environment, the customer has the right to freely lend, at the rate of one on one, the used equipment to the distributor which will provide for its disposal as required by law.

Professional purchasers are exhorted to contact their own supplier to check the terms and conditions of the purchase contract.

## S Possible problems

- In case there is a malfunction contact an authorized dealer or contact the service (technical support).

## T Additional warnings

- The packaging materials (plastic bags, polystyrene foam, nails, etc..) Must not be left within reach of children as they are potential sources of danger.
- Before connecting the appliance, make sure that the data on the plate correspond to those of the electricity distribution network . The plate is located on the bottom of the unit body.
- In case of incompatibility between the socket and power cable plug, have the socket replaced with a suitable type by a qualified professional who will also have to make sure that the section of the cord is suitable for the power absorbed by the appliance.

We do not recommend the use of adapters, multiple sockets and / or extensions.

When their use is absolutely necessary, you must use only simple or multiple adapters and extensions that comply with current safety standards, taking care not to exceed the range limit.

- The use of an electrical appliance requires the observance of some fundamental rules.

In particular:

- do not touch or use the appliance with wet or damp hands or bare feet;
  - do not pull the power cord or the appliance itself to remove the plug from the socket;
  - do not allow the appliance to be used by children or unfit persons without supervision.
- In case of failure and/ or malfunction, turn it off and do not tamper with it.

For repairs only contact an authorized dealer.

Failure to comply with the above may compromise the safety of the device.

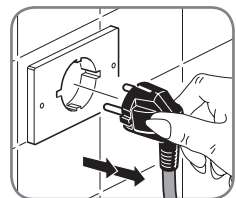
- If you decide not to use this appliance again you must make it inoperative by cutting the cord after removing the plug from the socket.

It is also recommended to make harmless those parts which may constitute a danger, especially for children who could use an abandoned appliance for their games.



**The installation must be carried out according to the manufacturer's instructions. Improper installation may cause damage to persons, animals or property in respect of which the manufacturer can not be held responsible.**

- To avoid dangerous overheating it is recommended to unroll the power cord for its entire length (11) and use the device as recommended in the paragraph "Instructions for Use".
- DO NOT allow it to be unnecessarily connected to the power. Disconnect the plug from the outlet when the appliance it's not used.



This Warranty does not affect your statutory rights under D. Lgs. 02/022002, n. 24.

With this guarantee, the manufacturer suggests the Purchaser to address directly a Point of Sale which to comply with the restoration in a fast, safe and unquestionable quality.

This Warranty is effective regardless of the evidence that the defect - resulting from manufacturing defects present at the time of purchase of the device, except as provided in paragraph "d" of this text.

a) Warranty duration: 12 months from date of purchase.

During the first 12 months of warranty, the warranty on the unit will be managed by the Stores.

b) The warranty is effective: In case of a request for assistance, the warranty is valid only if you show the warranty certificate together with a document, valid receipt, showing the identification details of the seller, the product and the date on which the purchase was made.

c) Warranty extension: Repair DOES NOT stop nor change the duration of the warranty which will expire on its legal deadline.

d) Limitations of Warranty:

The warranty does not cover any damage resulting from:

- negligence, incompetence, recklessness and carelessness in use (failure to comply with the rules in this manual);
- maintenance not covered in this booklet or performed by unauthorized personnel;
- tampering or interventions to increase the power or efficacy of the product;
- incorrect installation (power supply with a voltage other than that listed on the nameplate and in this booklet);
- improper use of the appliance;
- damage due to normal wear and tear of the components, impacts, falls, transport damage.
- the guarantee does not cover the repair / replacement of parts subject to wear during normal use of the product (hooks, kneading, blades, belts, connectors ...).

e) Costs: In cases not covered by the warranty, the manufacturer reserves the right to charge the customer the cost of repair or replacement of the appliance.

f) Manufacturer's responsibility: The manufacturer is not liable for any damage that may directly or indirectly affect persons, property or pets as a consequence of failure to comply with all the requirements set out in this "Instructions for Use" booklet and concerning especially the warnings regarding installation, use and maintenance.

## How to contact technical support

Please see the back cover page.

## FD1025 NEW

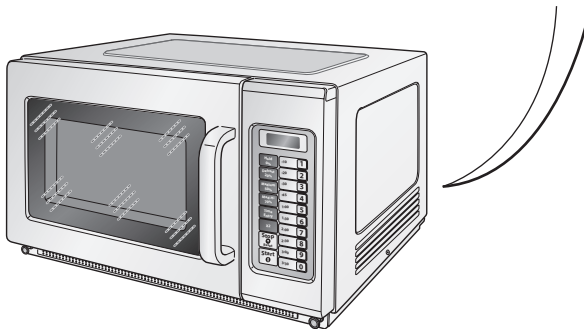
<b>FORNO A MICROONDE</b> <b>MICROWAVE OVEN</b>			
<b>• MODELLO:</b> MODEL		FD1025 NEW	<b>ATTENZIONE - WARNING</b> • MICROONDE E ALTA TENSIONE ALL'INTERNO DELL'APPARECCHIO. NON RIMUOVERE I PANNELLI LATERALI. <i>MICROWAVE AND HIGH VOLTAGE INSIDE. BE SURE NOT TO REMOVE ENCLOSURE</i> • L'APPARECCHIO È DOTATO DI SPINA CON MESSA A TERRA. PER GARANTIRE LA VOSTRA SICUREZZA E PREVENIRE EVENTUALI SHOCK ELETTRICI, DEVE ESSERE COLLEGATA AD UNA PRESA DOTATA DI MESSA A TERRA. <i>THIS APPLIANCE IS EQUIPPED WITH A GROUNDED PLUG FOR YOUR PROTECTION AGAINST POSSIBLE SHOCK HAZARDS AND SHOULD BE CONNECTED TO A PROPERLY GROUNDED OUT LET.</i> • LA MANUTENZIONE DELL'APPARECCHIO DEVE ESSERE ESEGUITA SOLO DA PERSONALE QUALIFICATO. <i>THIS DEVICE IS TO BE SERVICED ONLY BY PROPERLY QUALIFIED SERVICE PERSONNEL.</i> • SCOLLEGARE LA SPINA DALLA PRESA DI CORRENTE PRIMA DI QUALSIASI MANUTENZIONE. LA RIMOZIONE DEI PANNELLI LATERALI CON L'APPARECCHIO COLLEGATO ALLA RETE ELETTRICA POTREBBE ESPORRE IL PERSONALE A POTENZIALE RISCHIO DI SHOCK ELETTRICO. <i>DISCONNECT THE POWER PLUG BEFORE SERVICING. REMOVAL OF THE ENCLOSURE WITH PRODUCT ENERGIZED COULD EXPOSE SERVICEMEN TO HAZARDOUS HIGH VOLTAGE POTENTIAL.</i>
<b>• TENSIONE:</b> RATED VOLTAGE		230 V-	
<b>• FREQUENZA:</b> FREQUENCY		50 Hz	
<b>• POTENZA IN INGRESSO (Microonde)</b> RATED INPUT (Microwave)		1550 W	
<b>• POTENZA NOMINALE (Microonde)</b> RATED OUTPUT (Microwave)		1000 W	
<b>• FREQUENZA MICROONDE</b> MICROWAVE FREQUENCY		XXXX MHz	
<b>• POTENZA IN INGRESSO</b> - Grill RATED INPUT - Convezione Convection		XXXX W XXXX W	

## FD1834

<b>FORNO A MICROONDE</b> <b>MICROWAVE OVEN</b>			
<b>• MODELLO:</b> MODEL		FD1834	<b>ATTENZIONE - WARNING</b> • MICROONDE E ALTA TENSIONE ALL'INTERNO DELL'APPARECCHIO. NON RIMUOVERE I PANNELLI LATERALI. <i>MICROWAVE AND HIGH VOLTAGE INSIDE. BE SURE NOT TO REMOVE ENCLOSURE</i> • L'APPARECCHIO È DOTATO DI SPINA CON MESSA A TERRA. PER GARANTIRE LA VOSTRA SICUREZZA E PREVENIRE EVENTUALI SHOCK ELETTRICI, DEVE ESSERE COLLEGATA AD UNA PRESA DOTATA DI MESSA A TERRA. <i>THIS APPLIANCE IS EQUIPPED WITH A GROUNDED PLUG FOR YOUR PROTECTION AGAINST POSSIBLE SHOCK HAZARDS AND SHOULD BE CONNECTED TO A PROPERLY GROUNDED OUT LET.</i> • LA MANUTENZIONE DELL'APPARECCHIO DEVE ESSERE ESEGUITA SOLO DA PERSONALE QUALIFICATO. <i>THIS DEVICE IS TO BE SERVICED ONLY BY PROPERLY QUALIFIED SERVICE PERSONNEL.</i> • SCOLLEGARE LA SPINA DALLA PRESA DI CORRENTE PRIMA DI QUALSIASI MANUTENZIONE. LA RIMOZIONE DEI PANNELLI LATERALI CON L'APPARECCHIO COLLEGATO ALLA RETE ELETTRICA POTREBBE ESPORRE IL PERSONALE A POTENZIALE RISCHIO DI SHOCK ELETTRICO. <i>DISCONNECT THE POWER PLUG BEFORE SERVICING. REMOVAL OF THE ENCLOSURE WITH PRODUCT ENERGIZED COULD EXPOSE SERVICEMEN TO HAZARDOUS HIGH VOLTAGE POTENTIAL.</i>
<b>• TENSIONE:</b> RATED VOLTAGE		230 V-	
<b>• FREQUENZA:</b> FREQUENCY		50 Hz	
<b>• POTENZA IN INGRESSO (Microonde)</b> RATED INPUT (Microwave)		3000 W	
<b>• POTENZA NOMINALE (Microonde)</b> RATED OUTPUT (Microwave)		1800 W	
<b>• FREQUENZA MICROONDE</b> MICROWAVE FREQUENCY		XXXX MHz	
<b>• POTENZA IN INGRESSO</b> - Grill RATED INPUT - Convezione Convection		XXXX W XXXX W	

## FD2134

<b>FORNO A MICROONDE</b> <b>MICROWAVE OVEN</b>			
<b>• MODELLO:</b> MODEL		FD2134	<b>ATTENZIONE - WARNING</b> • MICROONDE E ALTA TENSIONE ALL'INTERNO DELL'APPARECCHIO. NON RIMUOVERE I PANNELLI LATERALI. <i>MICROWAVE AND HIGH VOLTAGE INSIDE. BE SURE NOT TO REMOVE ENCLOSURE</i> • L'APPARECCHIO È DOTATO DI SPINA CON MESSA A TERRA. PER GARANTIRE LA VOSTRA SICUREZZA E PREVENIRE EVENTUALI SHOCK ELETTRICI, DEVE ESSERE COLLEGATA AD UNA PRESA DOTATA DI MESSA A TERRA. <i>THIS APPLIANCE IS EQUIPPED WITH A GROUNDED PLUG FOR YOUR PROTECTION AGAINST POSSIBLE SHOCK HAZARDS AND SHOULD BE CONNECTED TO A PROPERLY GROUNDED OUT LET.</i> • LA MANUTENZIONE DELL'APPARECCHIO DEVE ESSERE ESEGUITA SOLO DA PERSONALE QUALIFICATO. <i>THIS DEVICE IS TO BE SERVICED ONLY BY PROPERLY QUALIFIED SERVICE PERSONNEL.</i> • SCOLLEGARE LA SPINA DALLA PRESA DI CORRENTE PRIMA DI QUALSIASI MANUTENZIONE. LA RIMOZIONE DEI PANNELLI LATERALI CON L'APPARECCHIO COLLEGATO ALLA RETE ELETTRICA POTREBBE ESPORRE IL PERSONALE A POTENZIALE RISCHIO DI SHOCK ELETTRICO. <i>DISCONNECT THE POWER PLUG BEFORE SERVICING. REMOVAL OF THE ENCLOSURE WITH PRODUCT ENERGIZED COULD EXPOSE SERVICEMEN TO HAZARDOUS HIGH VOLTAGE POTENTIAL.</i>
<b>• TENSIONE:</b> RATED VOLTAGE		230 V-	
<b>• FREQUENZA:</b> FREQUENCY		50 Hz	
<b>• POTENZA IN INGRESSO (Microonde)</b> RATED INPUT (Microwave)		3200 W	
<b>• POTENZA NOMINALE (Microonde)</b> RATED OUTPUT (Microwave)		2100 W	
<b>• FREQUENZA MICROONDE</b> MICROWAVE FREQUENCY		XXXX MHz	
<b>• POTENZA IN INGRESSO</b> - Grill RATED INPUT - Convezione Convection		XXXX W XXXX W	



**Timbro e Firma del rivenditore:  
Stamp and Signature of the dealer:**

**Compilare i campi sottostanti per la validità della Garanzia  
Complete the fields below for the validity of the Warranty**

**Modello  
Model**

**FD1025 NEW - Art. Code: 110439  
FD1834 - Art. Code: 110434  
FD2134 - Art. Code: 110436**

**Cognome  
Surname**

**Nome  
Name**

**Via  
Street**

**n°  
n°**

**Città  
City**

**Nazione  
Country**



Fabbricato da / Manufactured by:

**R.G.V. srl**

Via Giovanni XXIII, 11  
22072 Cermenate (CO) - Italia

Tel. +39 031 722819

fax +39 031 722825

e-mail: info@rgv.it

**www.rgv.it**

Ed.: 07/2019

**Made in P.R.C.**